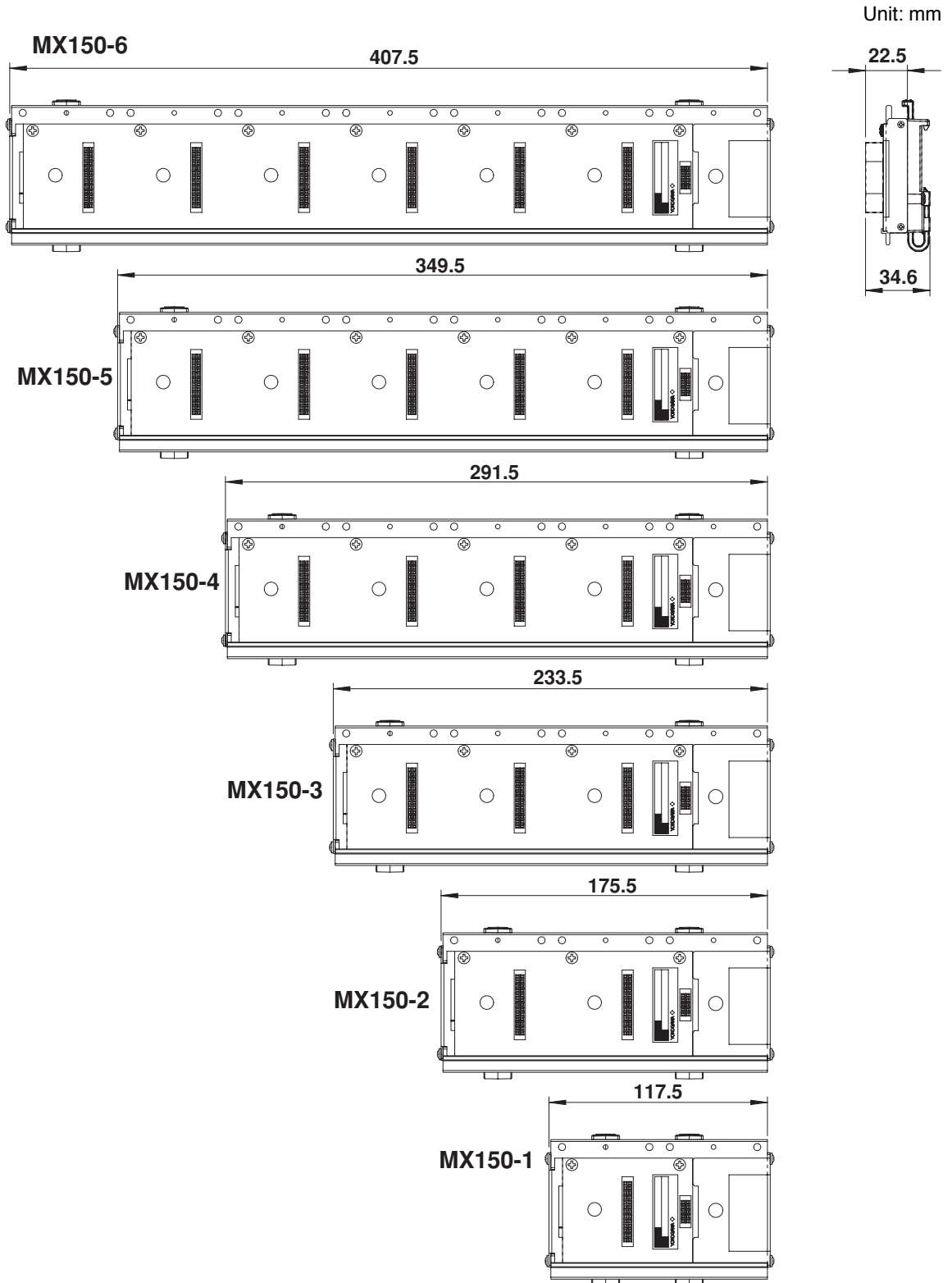




User's Manual

MX100/MW100 Handling of the Base Plate (MX150-□)

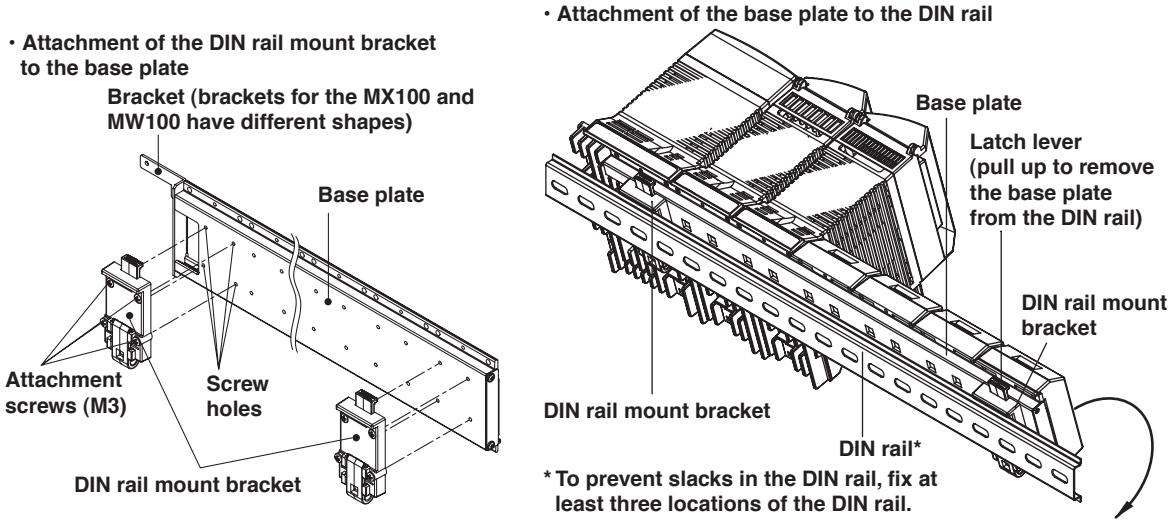
External Dimensions



If not specified, the tolerance is $\pm 3\%$. However, in cases of less than 10 mm, the tolerance is ± 0.3 mm.

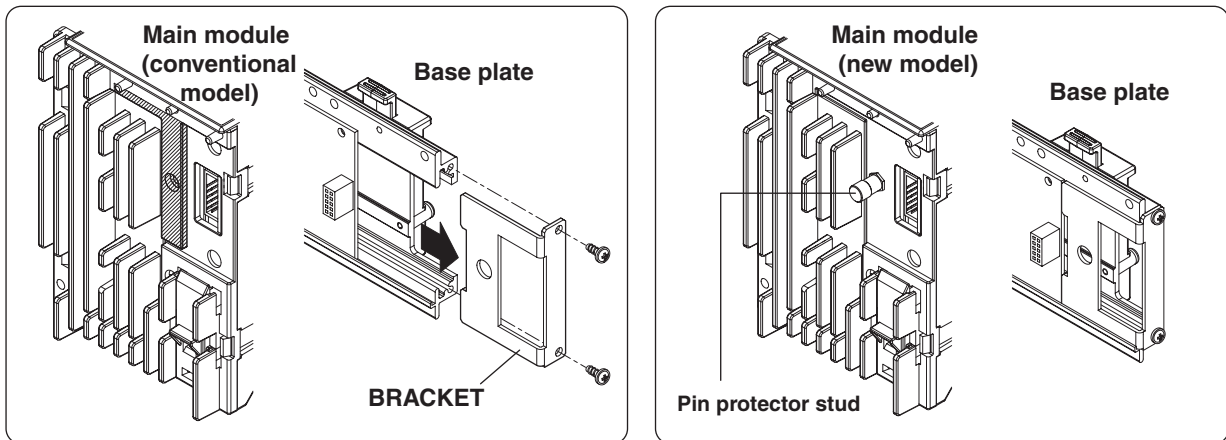
Attachment to a DIN Rail

As shown in the figure below, you can rack-mount or panel-mount the MX100/MW100 Data Acquisition Unit by attaching a DIN rail mount bracket to the base plate.

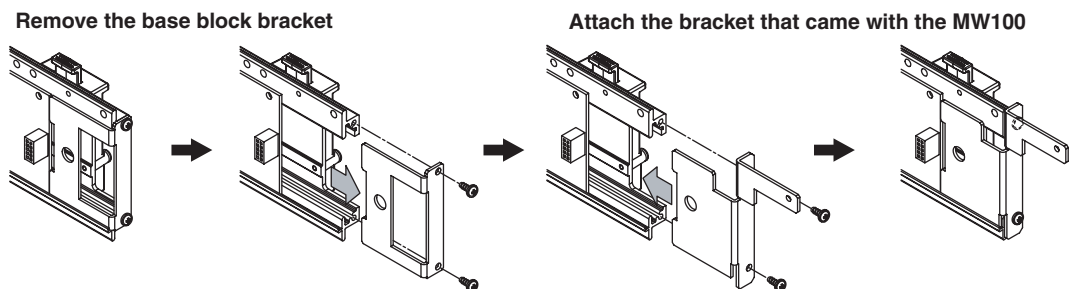


CAUTION

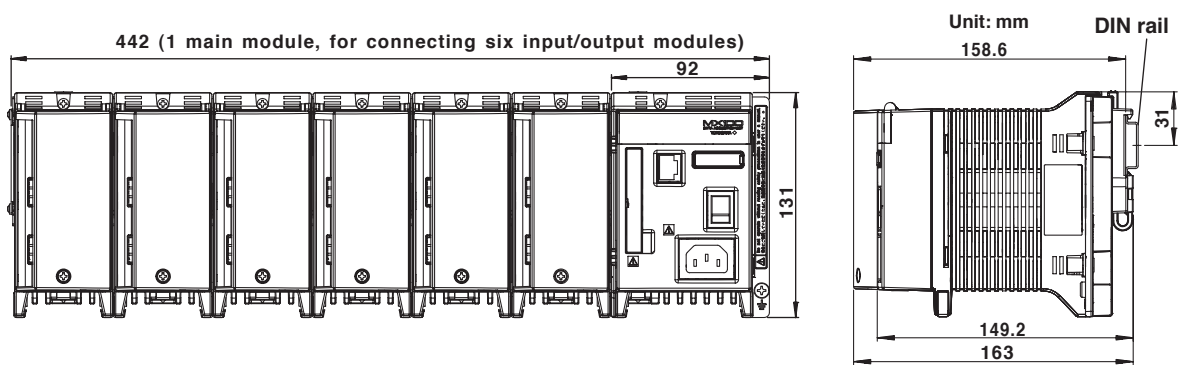
- When mounting the MX100 data acquisition unit main module (conventional model) to the base plate, remove the two base plate screws, then remove the bracket, then mount the main module (conventional model) on the base plate.



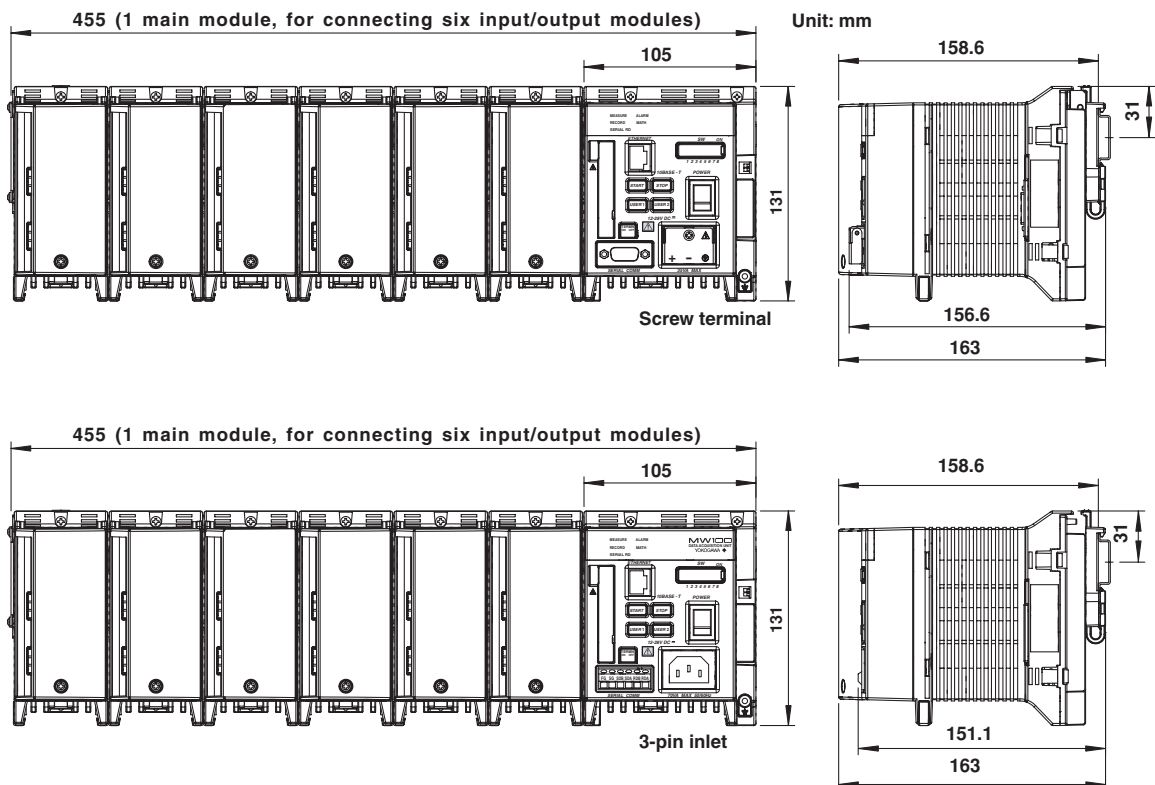
- When mounting the MW100 data acquisition unit main module to the base plate, replace the base plate bracket with the bracket that came with the MW100 data acquisition unit prior to mounting to the base plate.



Dimensions when mounted on DIN rails (MX100)



Dimensions when mounted on DIN rails (MW100)



Note

- The 30-CH Medium Speed DCV/TC/DI Input Module takes up three modules worth of space when attaching to the base plate. If attached incorrectly, damage or malfunction can result.
- The 30-CH Medium Speed DCV/TC/DI Input Module are compatible with Style 3 or later of the MX100/MW100.

Wiring Procedure, Specifications, and Other Items Related to the Input/Output Modules

See the MX100/MW100 Data Acquisition Unit Installation and Connection Guide (IM MX100-72E) provided with the main module, or the MX100 Data Acquisition Unit User's Manual (IM MX100-01E) or the MW100 Data Acquisition Unit User's Manual (IM MW100-01E) contained in the manual CD-ROM.